



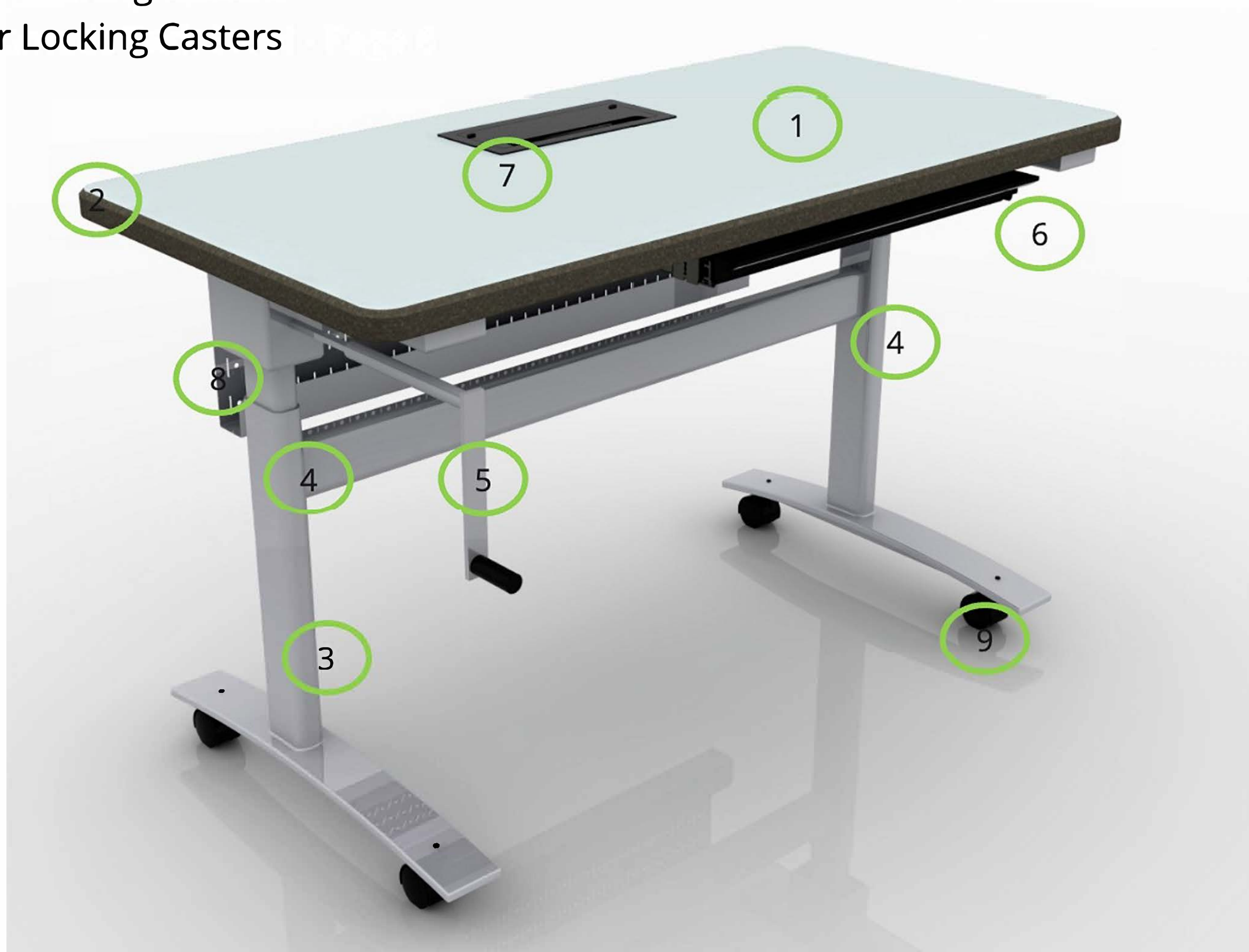
Teacher Presentation Station (TPS) Specification Sheet

Model: TPS-CHA (Crank Height Adjustable)

**WB Custom 24" x 48" Hand Crank Height Adjustable Table - 29.5"- 42.75"High
Part#: CUSMOD-RPLWI-GIB7069-C1000-1002-D82MB-PD-S-ETB/BK-GRC**

The Teacher Presentation Station (TPS) is a 21st century mobile teacher desk often used with a laptop computer and document camera, connected to a large LED interactive display. The Station is designed for a teacher to sit low or high in a task stool, or stand, and includes:

1. Formica Writable Surface - Liquid Glass
2. Lotz Armor Edge Band - Slate Grey
3. Metal Paint - Smooth Silver
4. Two Hand Crank Height Adjustable Legs
5. Left or Right Side Insertable Hand Crank to Adjust Legs (Handle Retracts Under Table)
6. Pencil Drawer
7. Legrand Table Top Access Box with 3 AC, 2-USB A, 1-USB-C Power Strip w/ 20ft. cord
8. Perforated Metal Modesty Panel with cable management trough, including Velcro Cable Management Kit
9. Four Locking Casters





Teacher Presentation Station (TPS) Specification Sheet

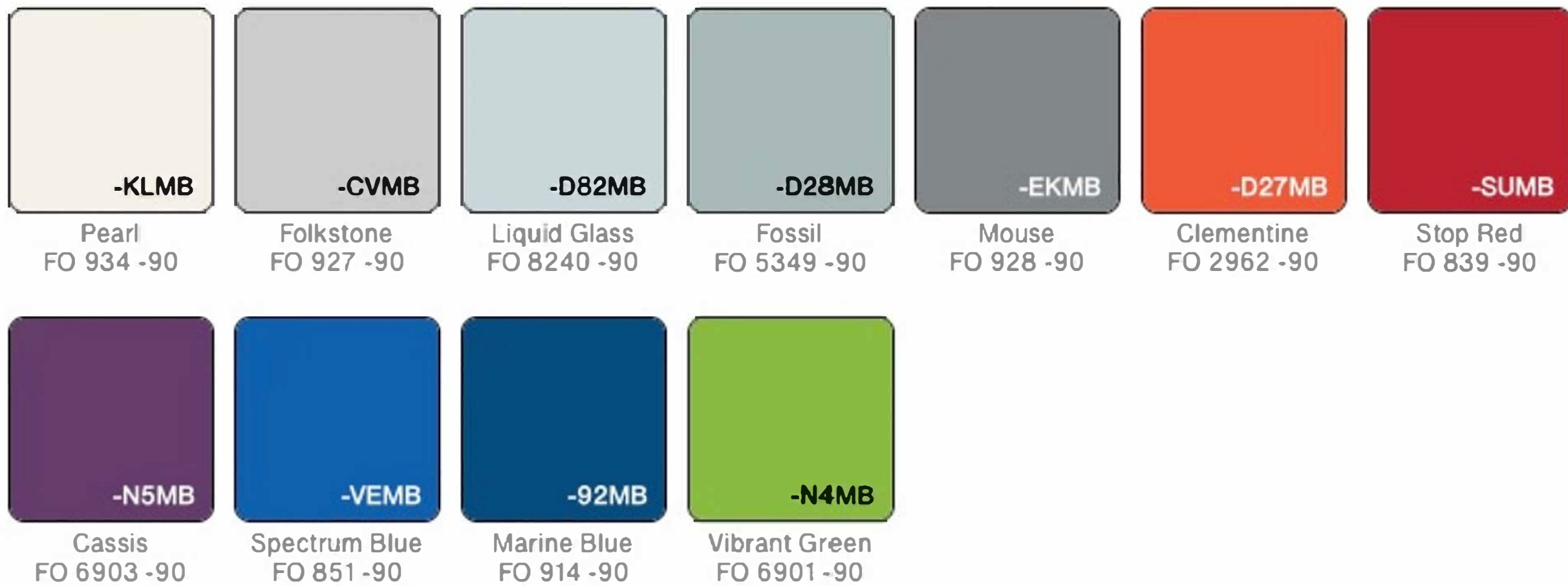
Model: TPS-CHA (Crank Height Adjustable)

WB Finishes

1

Non-Magnetic Writable Surface

Frosty White (-P52MB) is the only stocked writable surface. ALL non-magnetic writable surfaces are priced through out the catalog as -__MB



2

Lotz Armor Edge™

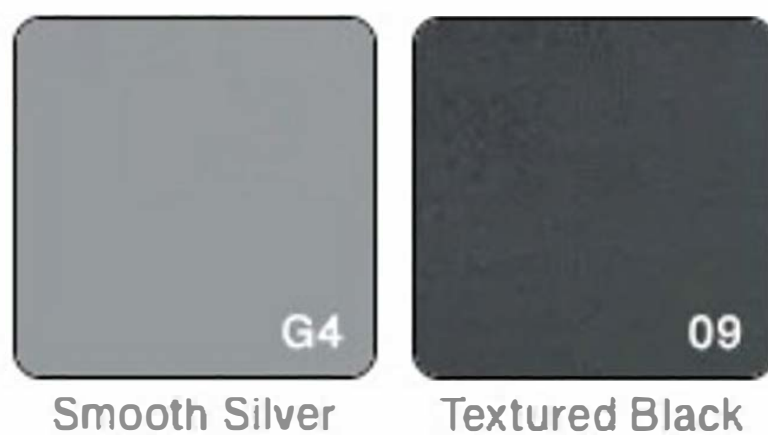
Black Lotz Armor Edge™ is default, colors are available upon request. Rhapsody shelves only available with Black Lotz Armor Edge™.



3

Elevate Base Colors*

*Textured Black N/A on EJA





Teacher Presentation Station (TPS) Specification Sheet

Model: TPS-CHA (Crank Height Adjustable)

4 WB Hand Crank Height Adjustable Legs

The Teacher Hand Crank Adjustable Table consists of two, 2.75" x 2.75" pneumatic steel columns that are attached to the top with screws that are provided. Top has pre-drilled pilot holes. The base spread is 3.25" x 23". The frame consists of upper and lower support bars along with a gear box rod. Adjustable frame size to accommodate multiple table lengths. Maximum recommended lift weight is 200lbs. Comes standard with glides, casters optional.



5 Hand Crank Height Adjustable Handle

The hand crank easily raises and lowers the adjustable legs to the exact user's height for standing or sitting in a task stool. The handle retracts under the table and is interchangeable from left to right sides.



6 Pencil Drawer

The rounded edge pencil drawer is 1.4"h x 22.8"w x 7.3"d. It is designed to be shallow so that the teacher will not bang their knee while sitting next to it. It's perfect for holding dry-erase markers, cleaning rag, note pads and remotes. The drawer does not lock.





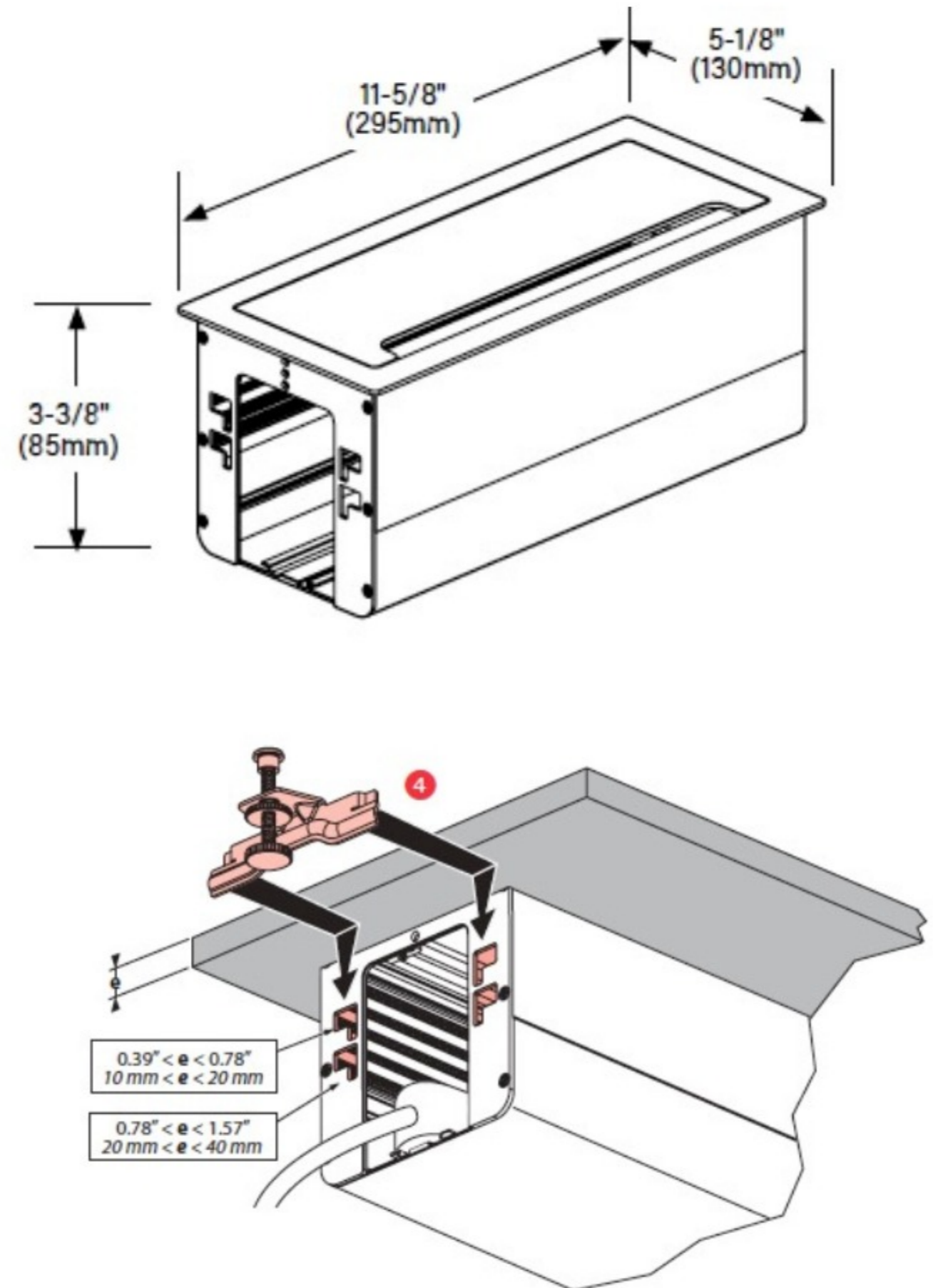
Teacher Presentation Station (TPS) Specification Sheet

Model: TPS-PHA (Pneumatic Height Adjustable)

7 Legrand Access Box w/ 3 AC, 2 USB-A, 1 USB-C, 20ft. Power Bar

The Legrand Table Top Access Box with mounted power strip in the bottom of the box is essential to the design of the Teacher Presentation Station. It allows the teacher to -

- Come to the presentation station, take out their laptop, and plug their AC (brick) power supply directly into the Access Box from the top. The AC brick can rest in the empty area of the power strip or Legrand box.
- This "top-loading" design prevents teachers from having to get on their hands and knees to plug their laptop into a power source and manage the cables from under the table.
- The closed lid has a gap filled with soft paint-like brush bristles to organize and space the cords coming up from the box and onto the table.
- The Access Box comes in Black or White case.





Teacher Presentation Station (TPS) Specification Sheet

Model: TPS-CHA (Crank Height Adjustable)

8 WB Metal Modesty Panel with Cable Management Trough

The perforated metal Modesty Panel is 12"H x 35" W and doubles as a secondary cable management trough. Perfect for storing a doc camera power supply then plugged into the power strip in the LeGrand Box. Also included is a Velcro Cable Management Kit. Note- The perforated holes are not only decorative, but can serve to zip tie loose cables. All in all, the design maximizes an uncluttered table top hiding cables and power supplies as much as possible.



Velcro Cable Management Kit

9 WB Four Locking Casters

The Teacher Presentation Station comes standard with dual wheel locking casters, but WB also includes a 4 set of Grand Hank Glides as the other option.

Standard Features: _____



2.5" Grand Hank glide (-HG)



Dual wheel locking casters



Teacher Presentation Station (TPS) Specification Sheet

Model: TPS-CHA (Crank Height Adjustable)

10 OM BC47-SDU Task Stool (Sold Separately from TPS)

The OM BC47-SDU is D&D's go to task stool used with the Teacher Presentation Station. It has an 8 inch pneumatic cylinder that is the sweet spot for most teachers to be able to put their feet down on the floor while sitting, and tall enough to be used for sitting high in the task stool.

Features include:

- No Arms
- Upholstery Back and Seat - HealthCare 3 Stage
 - Content: 70% Vinyl, 30% Polyester
 - Finish: SILVERGUARD and PERMABLOK
 - Abrasion: 930,000 Double Rubs
- Wide Footrest Ring
- 65mm | Grey Two-Tone Multi-Surface Soft Caster
- 8" Black Cylinder

HealthCare 3 Stage Vinyl Finishes



3V50
Cats



3V52
Chicago



3V53
Grease



3V54
Frozen



3V55
Aida



3V57
Phantom



3V58
Shrek



3V59
Fame

(Shown here with 3V55 AIDA)

