



# Teacher Presentation Station (TPS) Specification Sheet

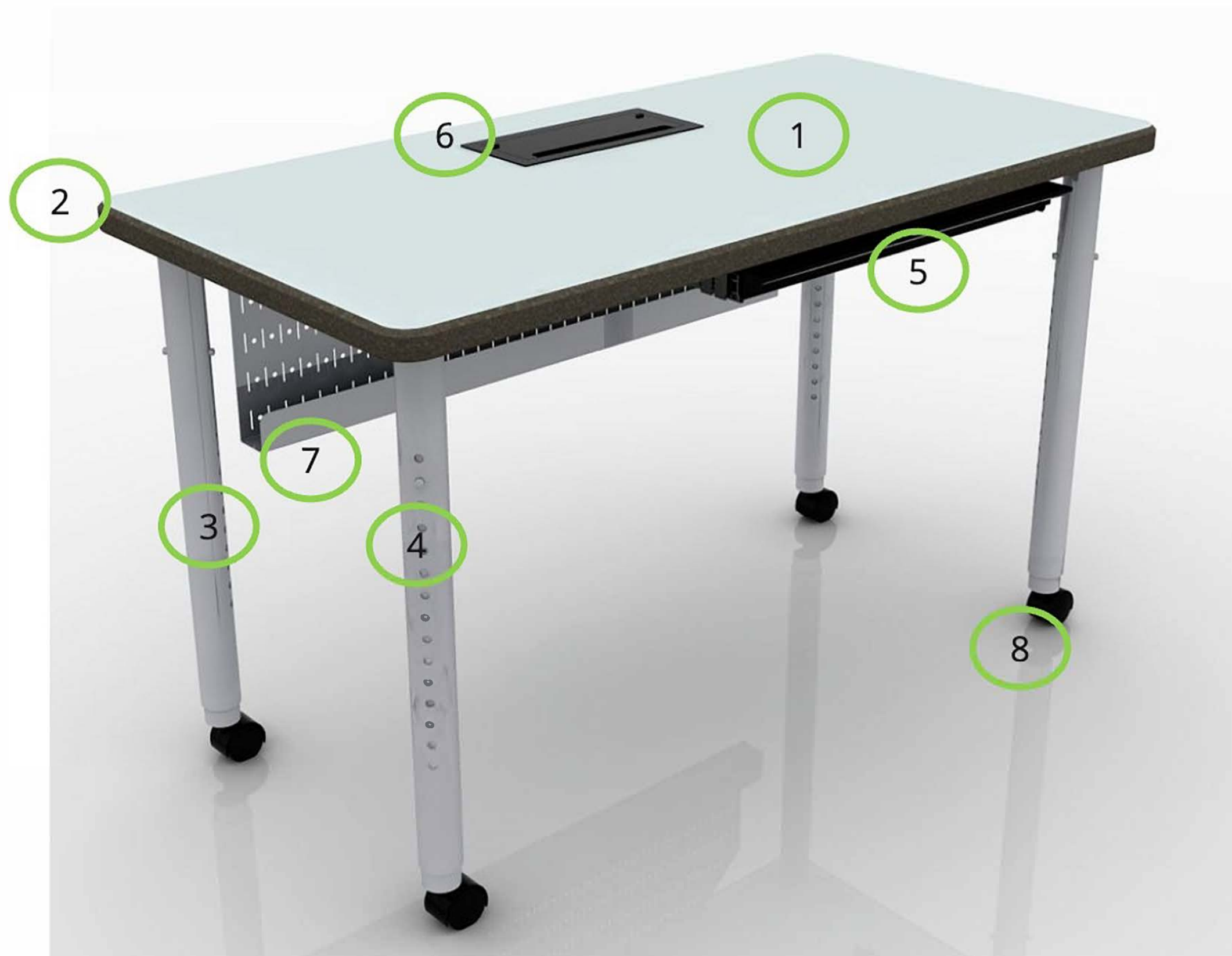
Model: TPS-PLA (Pin Leg Adjustable)

**WB Custom 24" x 48" Pin Leg Adjustable Table - 26.25" - 40.25" High**

**Part#: CUSMOD-RPLWI-ELP7069-ADJ-CA-D82MB-PD-S-ETB/BK-GRC**

The Teacher Presentation Station (TPS) is a 21st century mobile teacher desk often used with a laptop computer and document camera, connected to a large LED interactive display. The Station is designed for a teacher to sit low or high in a task stool, or stand, and includes:

1. Formica Writable Surface - Liquid Glass
2. Lotz Armor Edge Band - Slate Grey
3. Metal Paint - Smooth Silver
4. Four Push Pin Adjustable Legs
5. Pencil Drawer
6. Legrand Table Top Access Box with 3 AC, 2-USB A, 1-USB-C Power Strip w/ 20ft. cord
7. Perforated Metal Modesty Panel with cable management trough, including Velcro Cable Management Kit
8. Four Dual Wheel Locking Casters





# Teacher Presentation Station (TPS) Specification Sheet

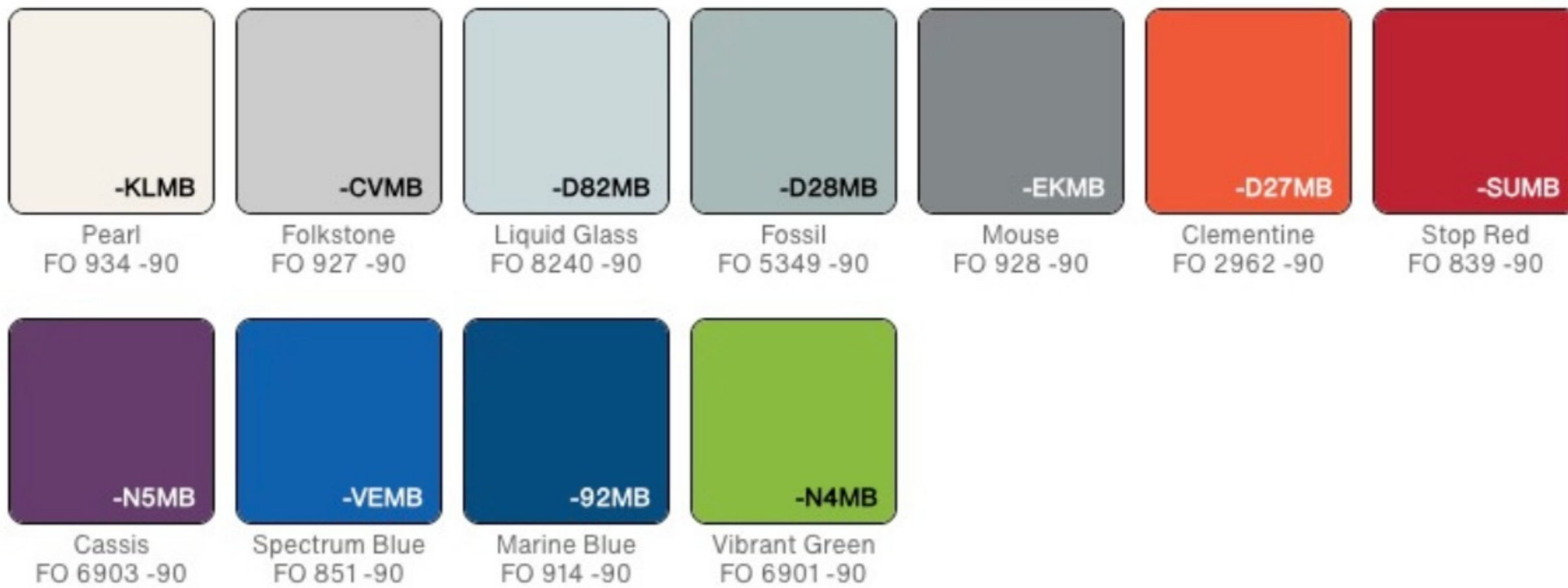
Model: TPS-PLA (Pin Leg Adjustable)

## WB Finishes

1

### Non-Magnetic Writable Surface

Frosty White (-P52MB) is the only stocked writable surface. ALL non-magnetic writable surfaces are priced through out the catalog as -\_\_MB



2

### Lotz Armor Edge™

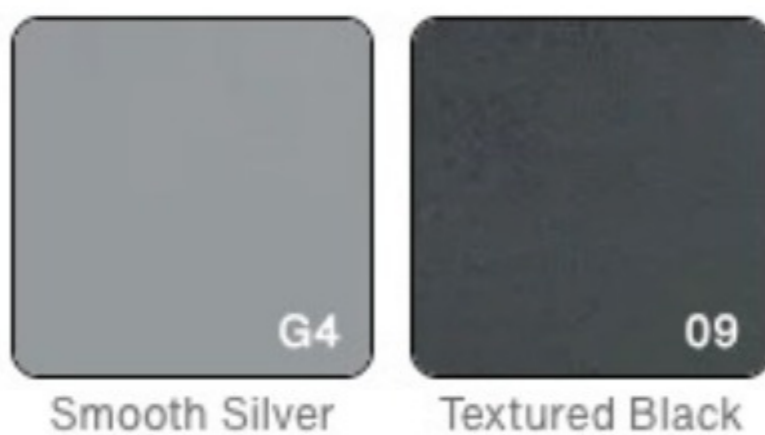
Black Lotz Armor Edge™ is default, colors are available upon request. Rhapsody shelves only available with Black Lotz Armor Edge™.



3

### Elevate Base Colors\*

\*Textured Black N/A on EJA





# Teacher Presentation Station (TPS) Specification Sheet

Model: TPS-PLA (Pin Leg Adjustable)

## 4 WB Push Pin Adjustable Legs

The Teacher's desk consist of 4 pin adjustable Legs. This model is our entry-level solution in height adjustment. It's our most economical TPS as most teachers will set the pin legs once to their personal standing height from 26"- 40," and then use a task stool for sitting. The straight 2" Round legs 4-gauge steel tubes which are fully welded to a triangular 10-gauge mounting plate. The mounting plate is secured to the top with six metal-to-metal threaded inserts and 1/4"-20x19mm joint connector bolts (included). Legs are positioned at the widest point of the desk to improve stability and to provide more knee clearance. Finish colors are powder-coated smooth silver (G4).



Pin adjustable legs  
adjust in 1" increments

## 5 Pencil Drawer

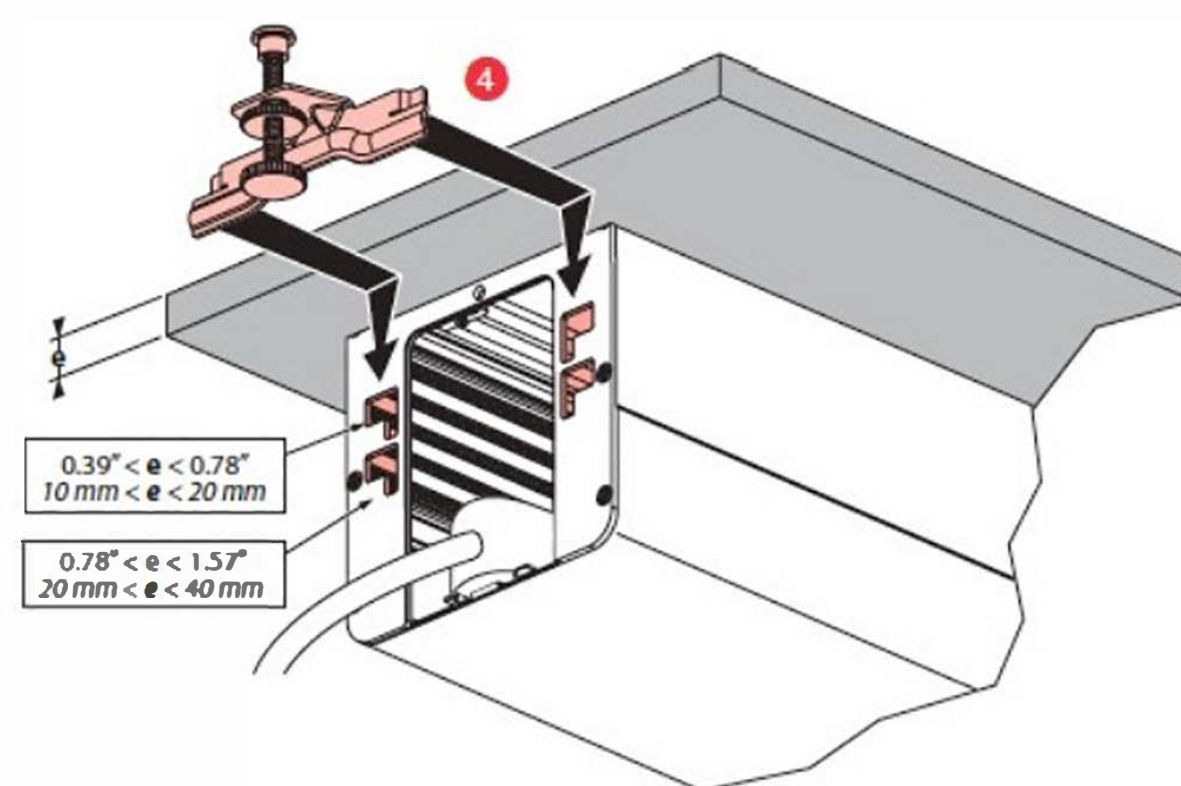
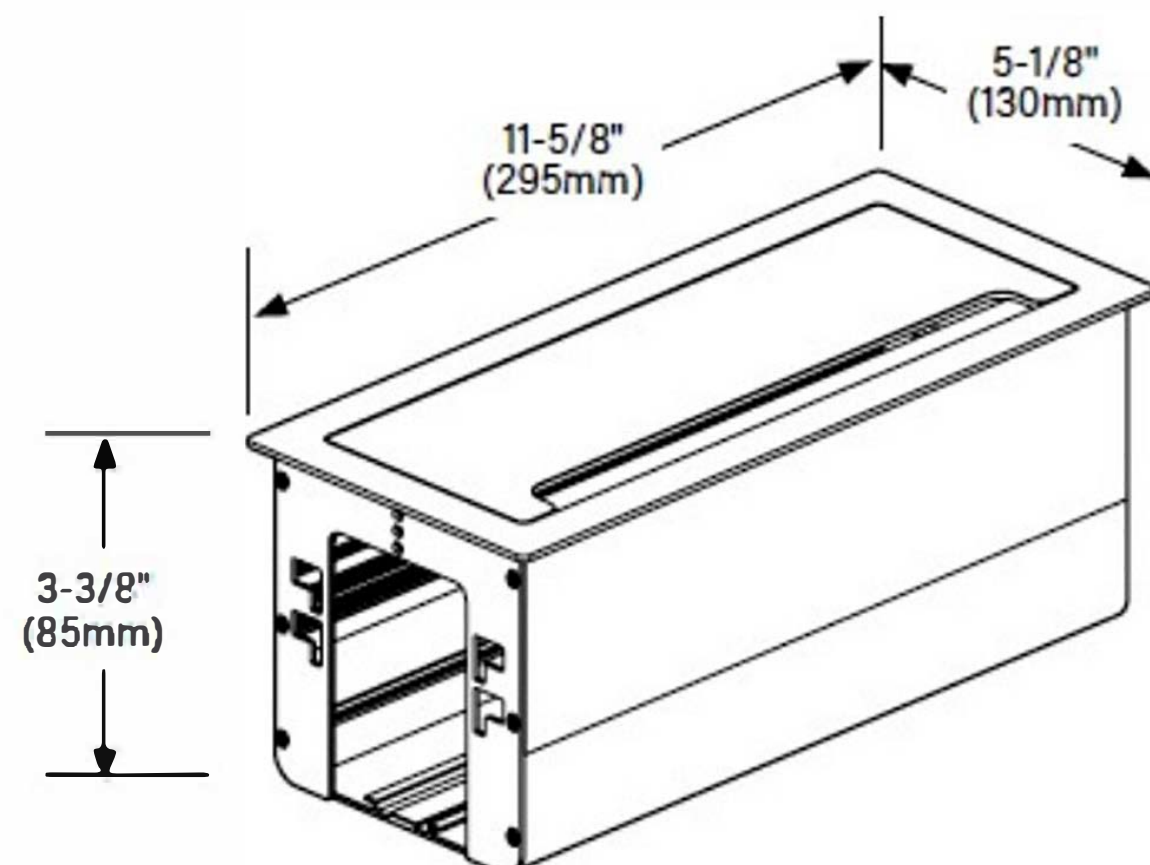
The rounded edge pencil drawer is 1.4"h x 22.8"w x 7.3"d. It is designed to be shallow so that the teacher will not bang their knee while sitting next to it. It's perfect for holding dry-erase markers, cleaning rag, note pads and remotes. The drawer does not lock.



## 7 Legrand Access Box w/ 3 AC, 2 USB-A, 1 USB-C, 20ft. Power Bar

The Legrand Table Top Access Box with mounted power strip in the bottom of the box is essential to the design of the Teacher Presentation Station. It allows the teacher to -

- Come to the presentation station, take out their laptop, and plug their AC (brick) power supply directly into the Access Box from the top. The AC brick can rest in the empty area of the power strip or Legrand box.
- This "top-loading" design prevents teachers from having to get on their hands and knees to plug their laptop into a power source and manage the cables from under the table.
- The closed lid has a gap filled with soft paint-like brush bristles to organize and space the cords coming up from the box and onto the table.
- The Access Box comes in Black or White case.





# Teacher Presentation Station (TPS) Specification Sheet

Model: TPS-PLA (Pin Leg Adjustable)

## 7 WB Metal Modesty Panel with Cable Management Trough

The perforated metal Modesty Panel is 12"H x 35" W and doubles as a secondary cable management trough. Perfect for storing a doc camera power supply then plugged into the power strip in the LeGrand Box. Also included is a Velcro Cable Management Kit. Note- The perforated holes are not only decorative, but can serve to zip tie loose cables. All in all, the design maximizes an uncluttered table top hiding cables and power supplies as much as possible.



Velcro Cable Management Kit



## 8 Four Dual Wheel Locking Casters

The Teacher Presentation Station comes standard with dual wheel locking casters, but WB also includes a 4 set of Grand Hank Glides as the other option.

Standard Features: \_\_\_\_\_



2.5" Grand Hank glide (-HG)



Dual wheel locking casters



# Teacher Presentation Station (TPS) Specification Sheet

Model: TPS-PLA (Pin Leg Adjustable)

## 9 OM BC47-SDU Task Stool (Sold Separately from TPS)

The OM BC47-SDU is D&D's go to task stool used with the Teacher Presentation Station. It has an 8 inch pneumatic cylinder that is the sweet spot for most teachers to be able to put their feet down on the floor while sitting, and tall enough to be used for sitting high in the task stool.

Features include:

- No Arms
- Upholstery Back and Seat - HealthCare 3 Stage
  - Content: 70% Vinyl, 30% Polyester
  - Finish: SILVERGUARD and PERMABLOK
  - Abrasion: 930,000 Double Rubs
- Wide Footrest Ring
- 65mm | Grey Two-Tone Multi-Surface Soft Caster
- 8" Black Cylinder

### HealthCare 3 Stage Vinyl Finishes



3V50  
Cats



3V52  
Chicago



3V53  
Grease



3V54  
Frozen



3V55  
Aida



3V57  
Phantom



3V58  
Shrek



3V59  
Fame

(Shown here with 3V55 AIDA)

